

AAB Branching Box

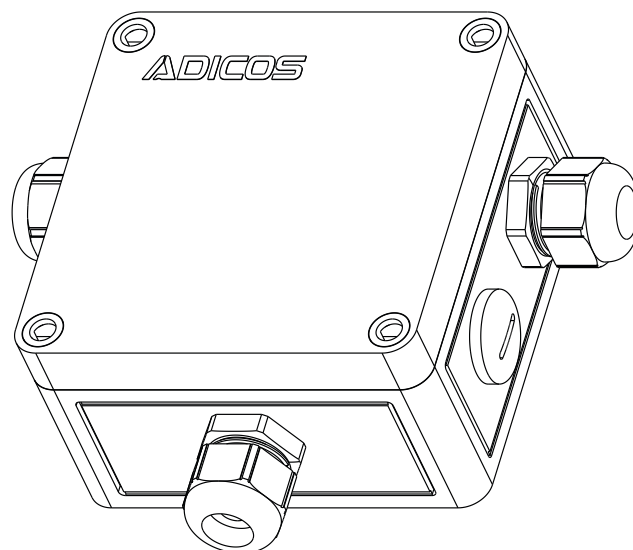
Industrial-suitable branching box with power-indicator and overload protection for connection of ADICOS special fire detectors

Characteristics

- *Compact design*
- *Sturdy ABS housing*
- *Fast and easy installation*
- *Extensive tolerance towards humidity and dust*
- *LED-indicator for supply-voltage*
- *Overload protection*
- *Input and output terminals for power supply, M-Bus, fire alarm LOOP, and limit value for alarm and error with internal routing*
- *Additional terminal for external power supply*
- *Up to five cable glands*
- *Also available for ATEX-Zone 22*

Applications

- *Connection of ADICOS detectors*
- *Feeding-in of external power supply*
- *Connection of detector line with fire alarm panels*
- *Junction of detector lines*



ADICOS AAB branching boxes are essential for convenient wiring of the detectors of the Advanced Discovery System („ADICOS“), which was specifically created to provide reliable early fire detection in industrial surroundings.

The AABs sturdy design protects it against surrounding dust and humidity, which enables it to operate in rough industrial surroundings.

ADICOS AABs are equipped with internally routed circuit boards with a connection terminal for all types of ADICOS detectors and two terminals for the in- and output of the fire alarm loop, the ADICOS M-Bus, the limit values “alarm” and “error” and the power supply.

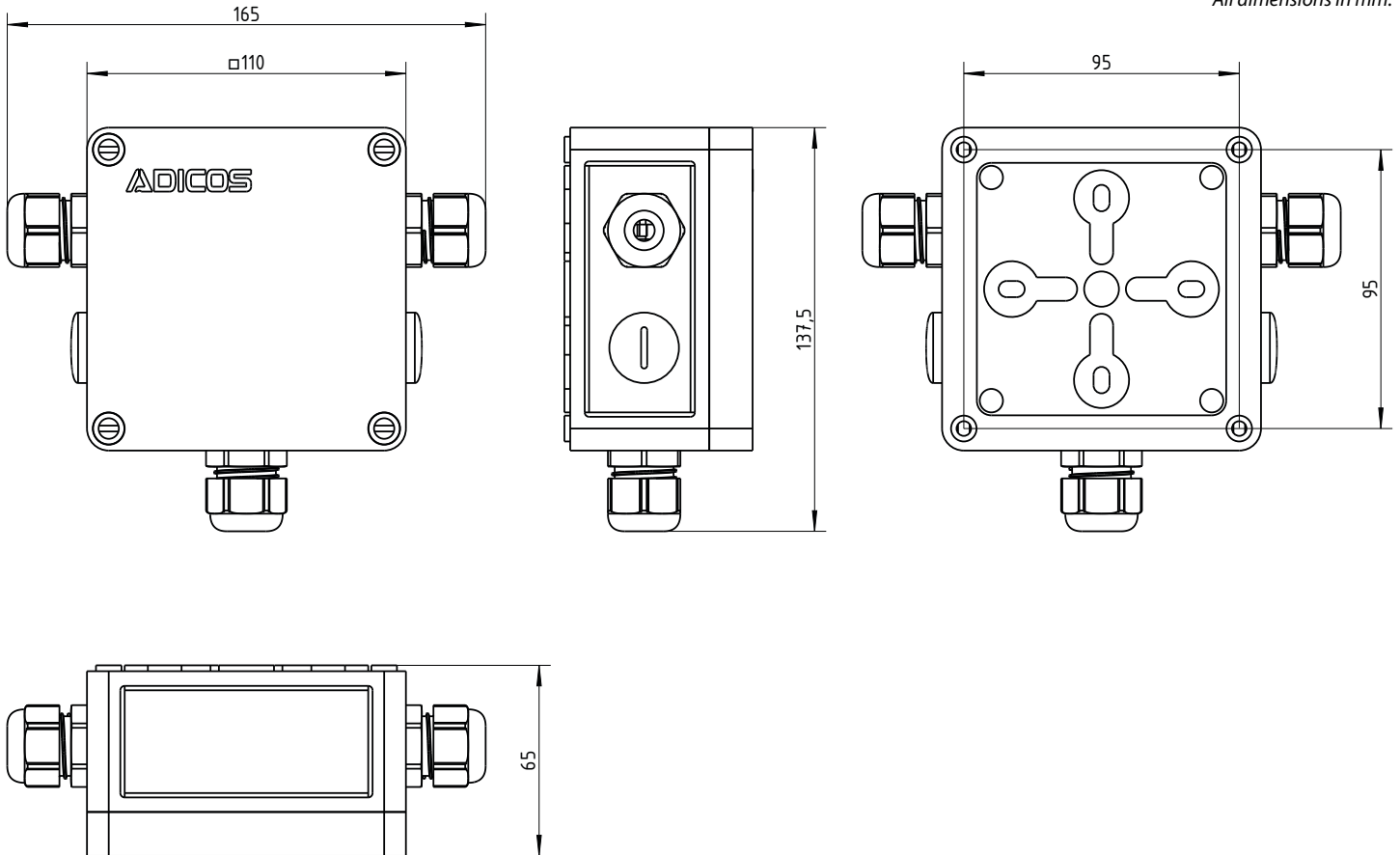
Additionally there is a terminal for feeding-in an external power supply (e.g. ADICOS NT V40-30), a power control LED and an internal fusing for overload protection.

By default, three cable glands are pre-mounted. If necessary two further glands can be fitted.

AAB - Specifications

Mechanical dimensionens

All dimensions in mm.



Mechanical characteristics

Enclosure	ABS (corrosion-resistant)
Weight	0.38 kg
Dimensions	110 x 110 x 65 mm
Protection class	IP 65

Thermal characteristics

Relative humidity	0 ... 99 % (non-condensing)
Temperature range	-10 ... +50 °C

Elektrical characteristics

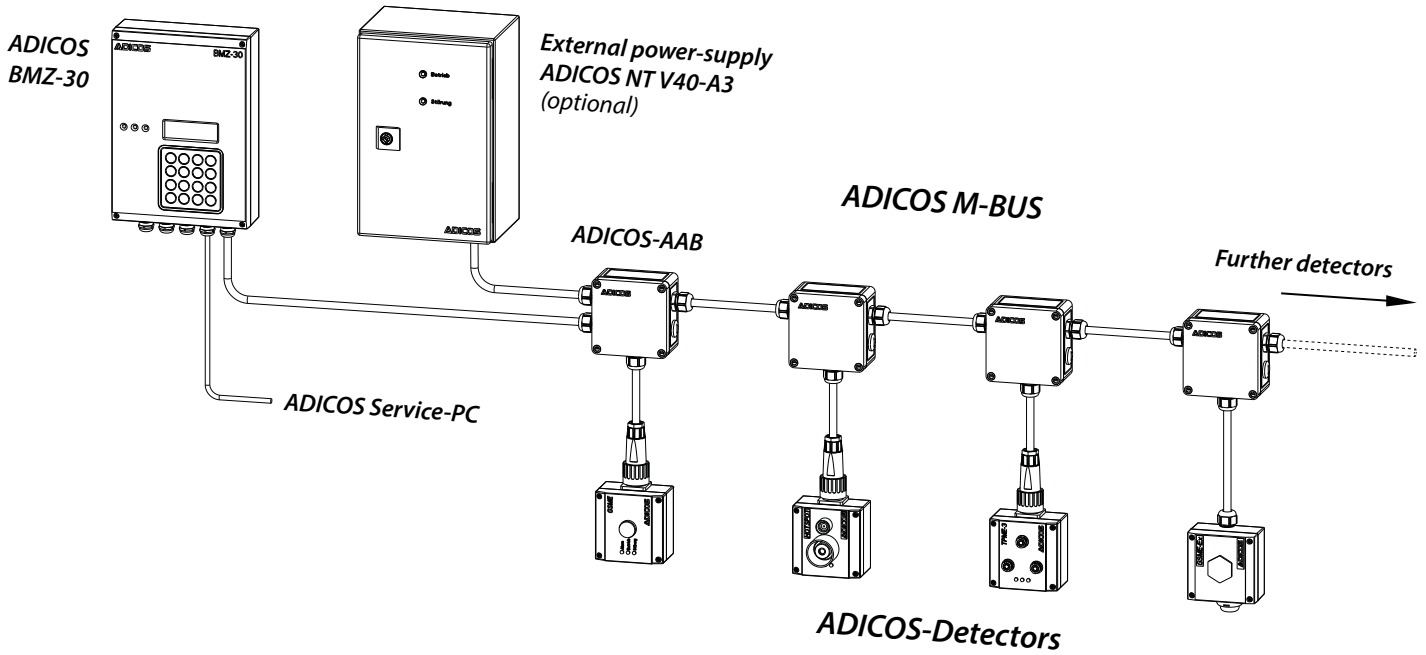
Max. power dissipation (LED)	330 mW
Internal fusing	4 A sb
Torque for cable glants	6.0 nm
Cable diameter	6.5 ... 12 mm
Max. wire cross section	2.5 mm ²

Technical changes reserved.

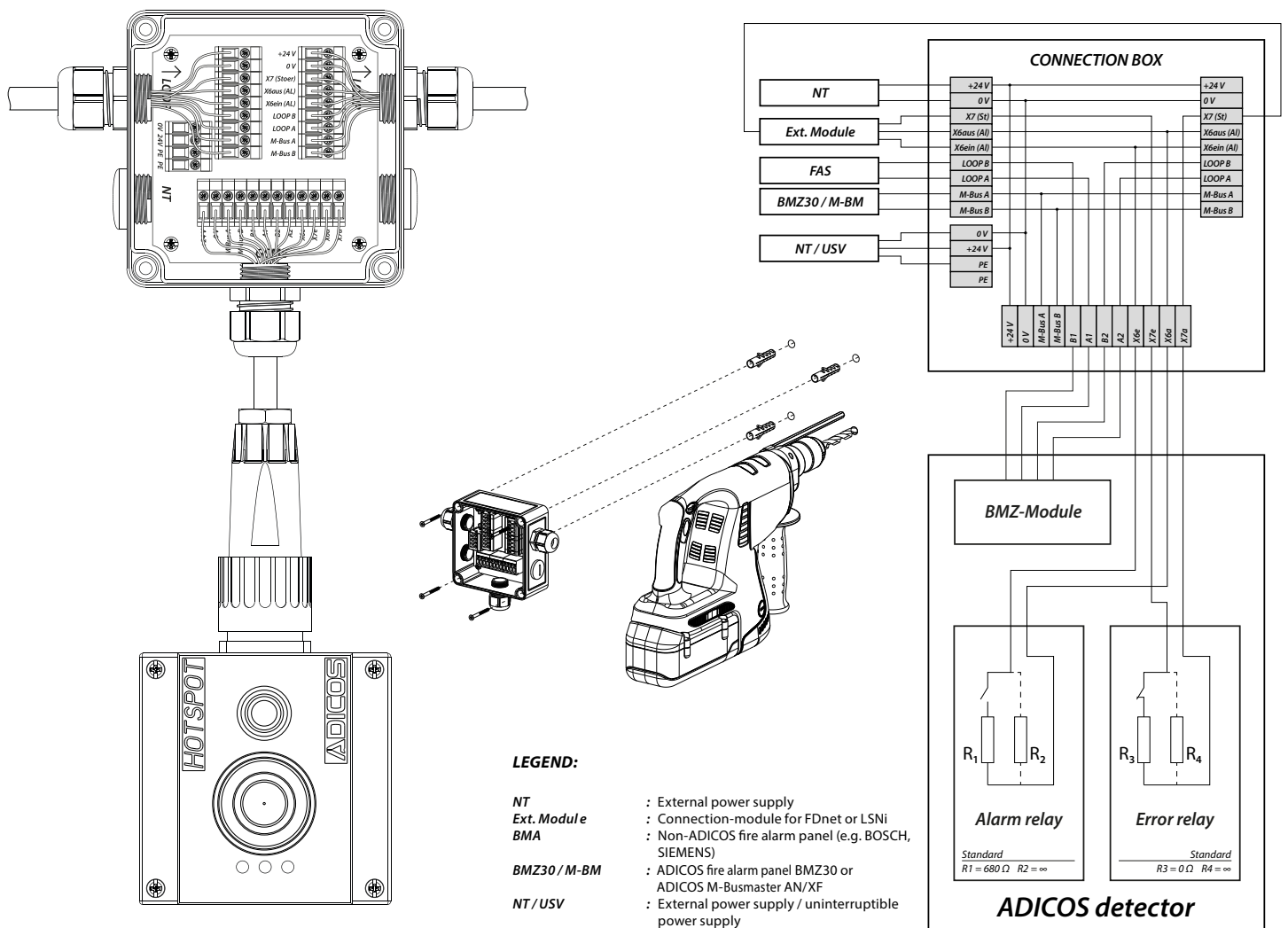
V2.0 - 07/2015 | Page 2 / 5

AAB - Application

ADICOS topology concept



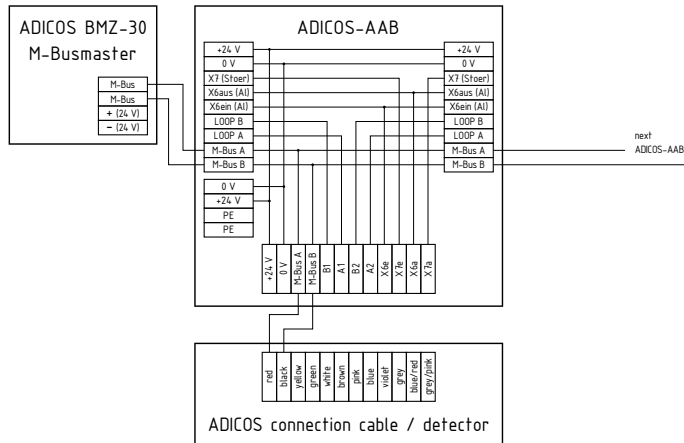
AAB installation



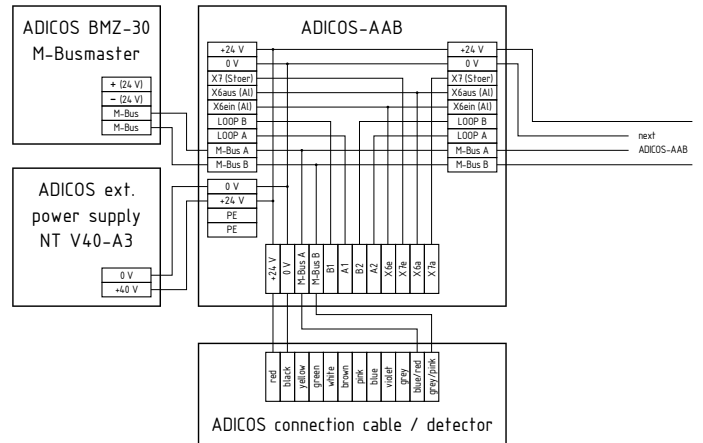
AAB - Application

AAB wiring options

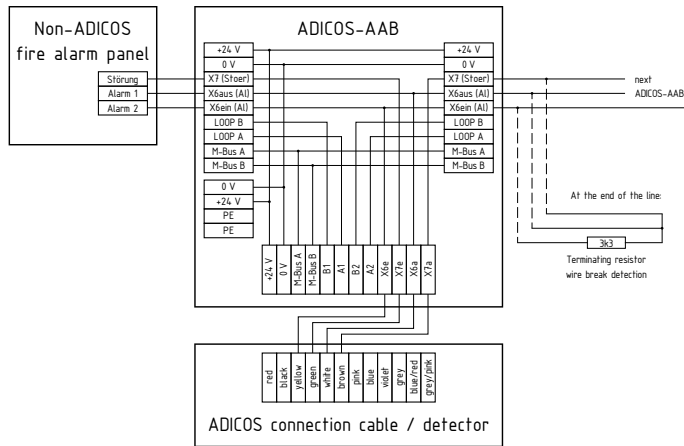
ADICOS BMZ / M-BM



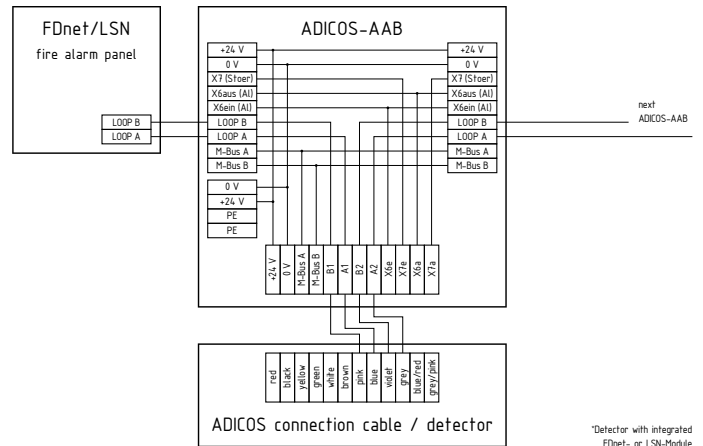
ADICOS BMZ / M-BM and external power supply



Limit values "error" and "alarm"

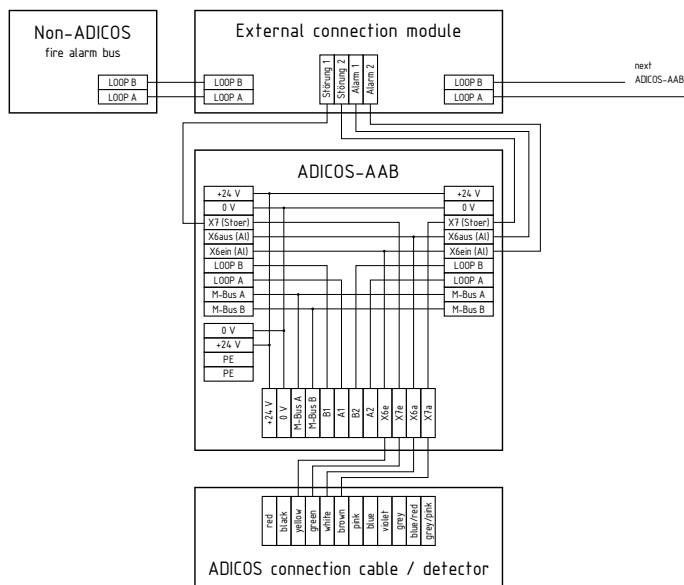


Non-ADICOS fire alarm LOOP with LSN/FDnet

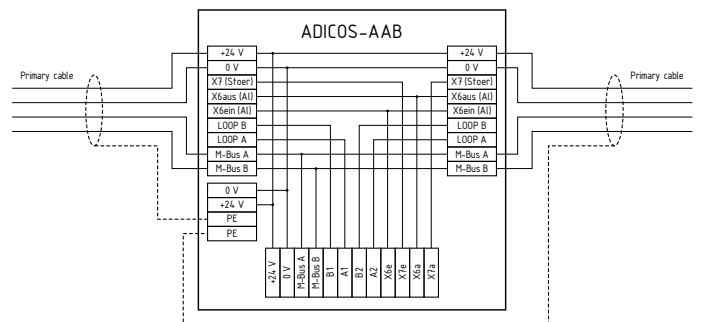


*Detector with integrated FDnet- or LSN-Module

Fire alarm LOOP with other bus than LSN/FDnet





Shielding for primary cable



Order information

Detectors	Description	Order-No.
ADICOS GSME-L3	Standard version with M-Bus module & limit value output	405-2001-015
ADICOS GSME-F	Standard version with M-Bus module & limit value output	405-2001-032
ADICOS GSME-FR	Standard version with M-Bus module & limit value output	405-2001-033
ADICOS GSME-HC	Standard version with M-Bus module & limit value output	405-2001-027
ADICOS GSME-HC ²	Standard version with M-Bus module & limit value output	405-2001-042
ADICOS HOTSPOT-16	Standard version with M-Bus module & limit value output	410-2001-030
ADICOS HOTSPOT-256	Standard version with 256 pixels, M-Bus module & limit value output	410-2001-031
ADICOS HOTSPOT-256 T	Standard version with telephoto lens, M-Bus module & limit value output	410-2001-032
ADICOS HOTSPOT-1000	Standard version with 1000 pixels, M-Bus module & limit value output	410-2001-033
ADICOS TPME-3	Standard version with 3 temperature sensor ports	406-2001-001

Detectors for  -Zone 22-20	Description	Order-No.
ADICOS GSME-Ex - L3	Standard version with M-Bus module, limit value output and connection cable	405-2001-054
ADICOS GSME-Ex - F	Standard version with M-Bus module, limit value output and connection cable	405-2001-056
ADICOS GSME-Ex - FR	Standard version with M-Bus module, limit value output and connection cable	405-2001-057
ADICOS GSME-Ex - HC	Standard version with M-Bus module, limit value output and connection cable	405-2001-055

Detectors for  -Zone 22	Description	Order-No.
ADICOS GSME-X22 - L3	GSME-L3 for ATEX-Zone 22, connection cable pre-mounted	405-2001-101
ADICOS GSME-X22 - F	GSME-F for ATEX-Zone 22, connection cable pre-mounted	405-2001-102
ADICOS GSME-X22 - FR	GSME-FR for ATEX-Zone 22, connection cable pre-mounted	405-2001-103
ADICOS HOTSPOT-X22	HOTSPOT-1000 for ATEX-Zone 22, connection cable pre-mounted	410-2001-120
ADICOS AAB-X22	Connection and branching box for ATEX-Zone 22	430-2002-101

Mounting accessories	Description	Order-No.
HOTSPOT mounting bracket	Mounting bracket with ball joint for easy and stepless tilting of HOTPOTs	410-2003-018
ADICOS AAB	Connection and branching box for all detector types	405-2002-037
ADICOS mounting plate	Aluminium sheet with mounting holes for all detector types	405-2003-018
ADICOS connection cable 5 m	Pre-assembled with ADICOS bayonet-plug for all detector types (except Ex)	95-31-01688
ADICOS connection cable 10 m	Pre-assembled with ADICOS bayonet-plug for all detector types (except Ex)	95-31-02236
ADICOS connection cable 15 m	Pre-assembled with ADICOS bayonet-plug for all detector types (except Ex)	95-31-03001
ADICOS connection cable 20 m	Pre-assembled with ADICOS bayonet-plug for all detector types (except Ex)	95-31-02387
ADICOS connection cable 25 m	Pre-assembled with ADICOS bayonet-plug for all detector types (except Ex)	95-31-03586
ADICOS connection cable 30 m	Pre-assembled with ADICOS bayonet-plug for all detector types (except Ex)	95-31-03039
ADICOS connection cable 35 m	Pre-assembled with ADICOS bayonet-plug for all detector types (except Ex)	95-31-03675
ADICOS connection cable 40 m	Pre-assembled with ADICOS bayonet-plug for all detector types (except Ex)	95-31-03621

System components	Description	Order-No.
ADICOS BMZ-30	Compact fire alarm panel for administration of ADICOS detectors	425-2001-101
ADICOS M-Busmaster XF	Master unit for ADICOS M-Bus and PC connection // M-Bus Repeater	420-2001-040
ADICOS M-Busmaster AN	Master unit for ADICOS M-Bus and PC connection // M-Bus Repeater	420-2001-015
ADICOS NT-V40 A3	External power supply with 160 VA	430-2001-030

System software	Description	Order-No.
ADICOS central software	Software for parameterization and data-logging, for up to 5 detectors	405-2004-016
ADICOS central software	Software for parameterization and data-logging, for up to 20 detectors	405-2004-017
ADICOS central software	Software for parameterization and data-logging, for up to 50 detectors	405-2004-018
ADICOS central software	Software for parameterization and data-logging, for up to 100 detectors	405-2004-019
ADICOS central software	Software for parameterization and data-logging, unlimited detector support	405-2004-020